

MEETINGS

SHAA meetings are held at the Boonton Senior Center on the first Sunday of each month at 7:30pm

Meetings are open to the public.

PUBLIC NIGHTS

The observatory is open to the public on the third Friday of each month at 7:30pm EST / 8:30pm EDT

Families / kids are welcome!

Please call the observatory at 973-335-5990 to make sure it is open if the weather is questionable.

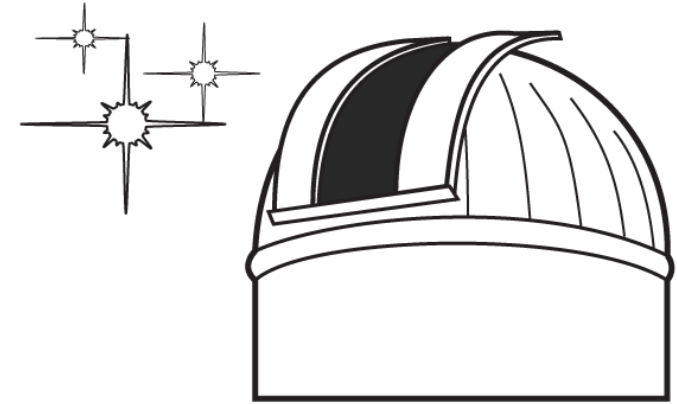
SPECIAL EVENTS

Occasionally the observatory is made available for special viewing nights for local schools and scouting groups.

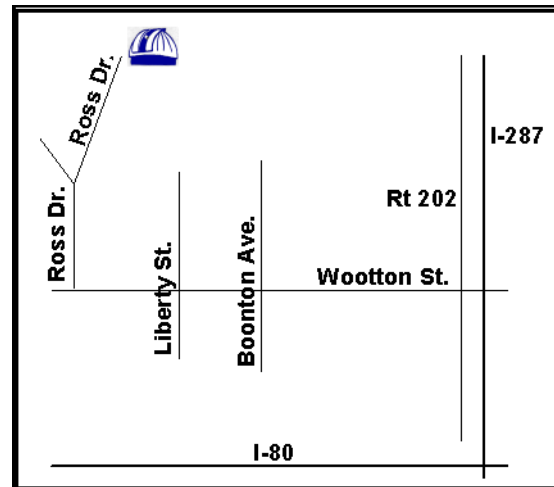
You can contact the club at contacts@sheephillaastro.org to set up a special event.



Sheep Hill Astronomical Association



The observatory is located at the end of
Ross Drive in Boonton, NJ

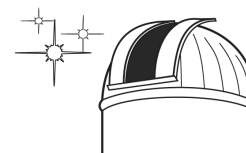


Boonton, NJ

On The Threshold Of Tomorrow

Sheep Hill Astronomical
Association

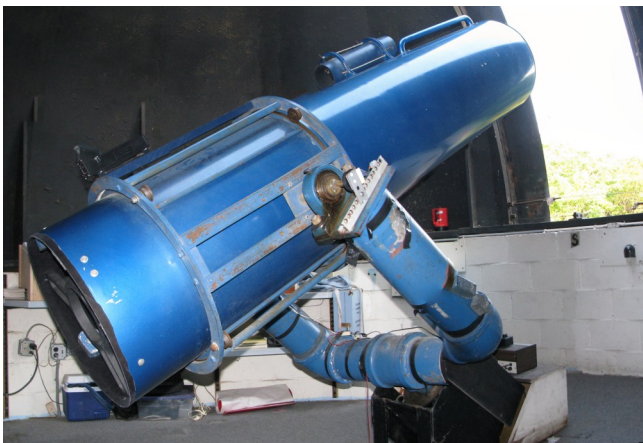
PO Box 111
Boonton, NJ 07005
www.sheephillaastro.org



facebook.com/SheepHillAstro

- or on the web at -

www.sheephillaastro.org



SHAA began in the mid 1960's as the Booth Astronomical Association, named after Les Booth, a former Boonton High School principal. Booth taught night classes on astronomy and after he retired, his former students got together with him and formed the organization. In 1968 they decided to build an observatory, and Sheep Hill, which had been deeded to the town by prominent resident George Ross, was the chosen location. The group secured donations of materials, labor and money including the skills of 2 master masons from Boonton, Edmund De Dominicus and Leonard Creatura, who constructed the building. The 16 foot diameter steel dome, built by a company in Dover, was set on the building by crane and the observatory was completed in 1973. It was around this time that the group was renamed the Sheep Hill Astronomical Association. The original instrument was a 16 inch Newtonian reflector and custom equatorial mount, all built by the club members. In 1999, a fundraising project was begun to upgrade the main telescope to an 18" reflector. Steve Bongiorno, an SHAA member and prospective Eagle Scout, led the fundraising effort as his Community Service project to become Eagle Scout. The club members assembled the new telescope and it was installed in August of 2001. The group remains dedicated to public outreach, sharing their knowledge and outstanding views of the night sky with the public.

MEMBERSHIP

Membership in the Sheep Hill Astronomical Association is open to any individual with an interest in astronomy. You need not own a telescope or other equipment to become a member of the Sheep Hill Astronomical Association. Dues requirements are:

- Adult (All family members included)\$40.00
- Student Membership\$21.25
- Senior Citizen\$32.50
(below age 14, parent must join)

Business meetings are held on the first Sunday of each month at 7:30 P.M. at the Boonton Senior Center. The annual dues are payable at the regular January meeting of the Association. For individuals joining the Association after July 1st, the dues will be one half of the regular annual dues.

Shortly after payment of dues a new member is entitled to receive a membership card and NOVA, the SHAA newsletter. The new member is entitled and encouraged to begin qualification on the use of the 18" telescope housed in Sheep Hill Observatory. All members must be at least 18 years of age to be a "qualified observer". All "qualified observers" must adhere to the rules of operation of the Sheep Hill Observatory.

MEMBERSHIP APPLICATION

Name: _____

Address: _____

City: _____

State: _____ Zipcode: _____

Phone: _____

Email: _____

If you own a telescope, please describe the type and aperture:

